

Note: This report is issued subject to TÜV SÜD PSB's "Terms and Conditions Governing Technical Services". The terms and conditions governing the issue of this report are set out as attached within this report.

SUBJECT

Testing of Access Flooring System

- Safety Factor Uniformly Distributed Load

TESTED FOR

Horizon Latam sac

Calle Cerro Azul 463, San Ignacio ,
Lima-Perú
Atten: Atte: Ricardo Ancasi J.

TEST METHODS

MOB PF2 PS: 1992 "Platform Floors (Raised Access Floors) Performance Specification"

SAMPLE DESCRIPTIONS

- Access Floor Model Name: **CCS1000** (Refer to Photo 1 and Drawings in Appendix)
Measured weight: 34.1lbs (15.5kg)
- Pedestal Assembly (Refer to Photo 2 and Drawings in Appendix)
FFH: 11.8" (300mm)
Measured Tubular column length: 8.66" (220mm)
Measured Pedestal head plate size: 2.99" x 2.99" x 0.14" thk (76mm x 76mm x 3.5mm thk)
- Stringer (Refer to Photo 3 and Drawings in Appendix)

Photo 1, 2 and 3 shows the panel, pedestal assembly and stringer respectively.



Photo 1-Panel



Photo 2-Pedestal



Photo 3-Stringer

DATE SUBMITTED

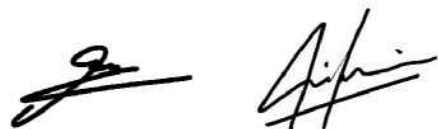
09 Mar 2014



Laboratory:
TÜV SÜD PSB Pte. Ltd.
Testing Group
No.1 Science Park Drive
Singapore 118221

Phone : +65-6885 1333
Fax : +65-6776 8670
E-mail: testing@tuv-sud-psb.sg
www.tuv-sud-psb.sg
Co. Reg : 199002667R

Regional Head Office:
TÜV SÜD Asia Pacific Pte. Ltd.
3 Science Park Drive
#04-01/05 The Franklin
Singapore 118223



ENVIRONMENTAL CONDITIONS

Temperature: 24°C

Humidity: 65%RH

TEST RESULTS

Safety Factor Uniformly Distributed Load Test

Sample reference	CCS1000 Floor panel	MOB Clause T11.03a Requirements
Test load	46.71kN/m ² (10500lb/m ²)	3 times of specified Uniformly Distributed Load is applied and maintained of a period of 5min and then removed
Observation	Panel DID NOT COLLAPSE	-

Note: The floor panel was supported by stringers onto the pedestal assembly during testing.

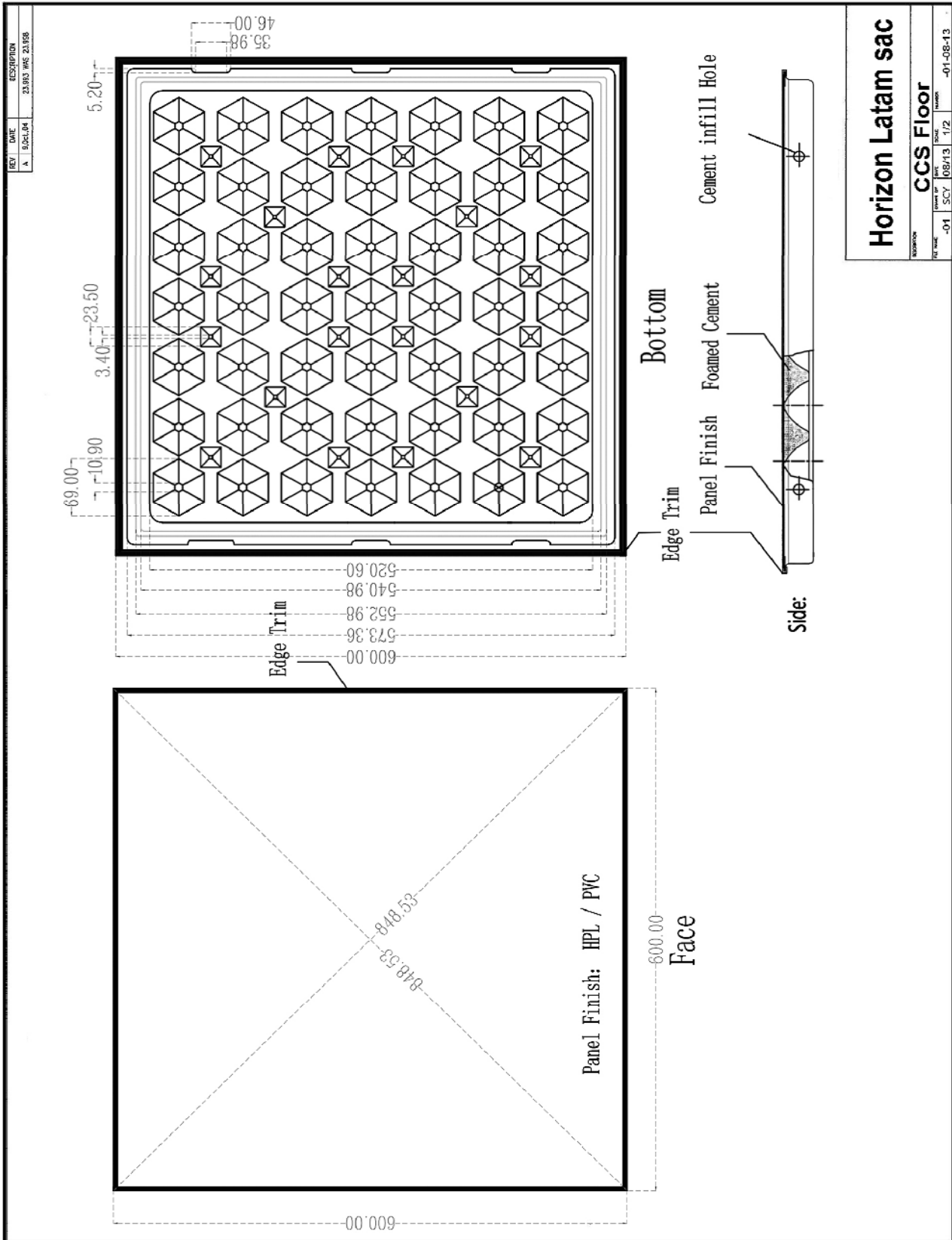


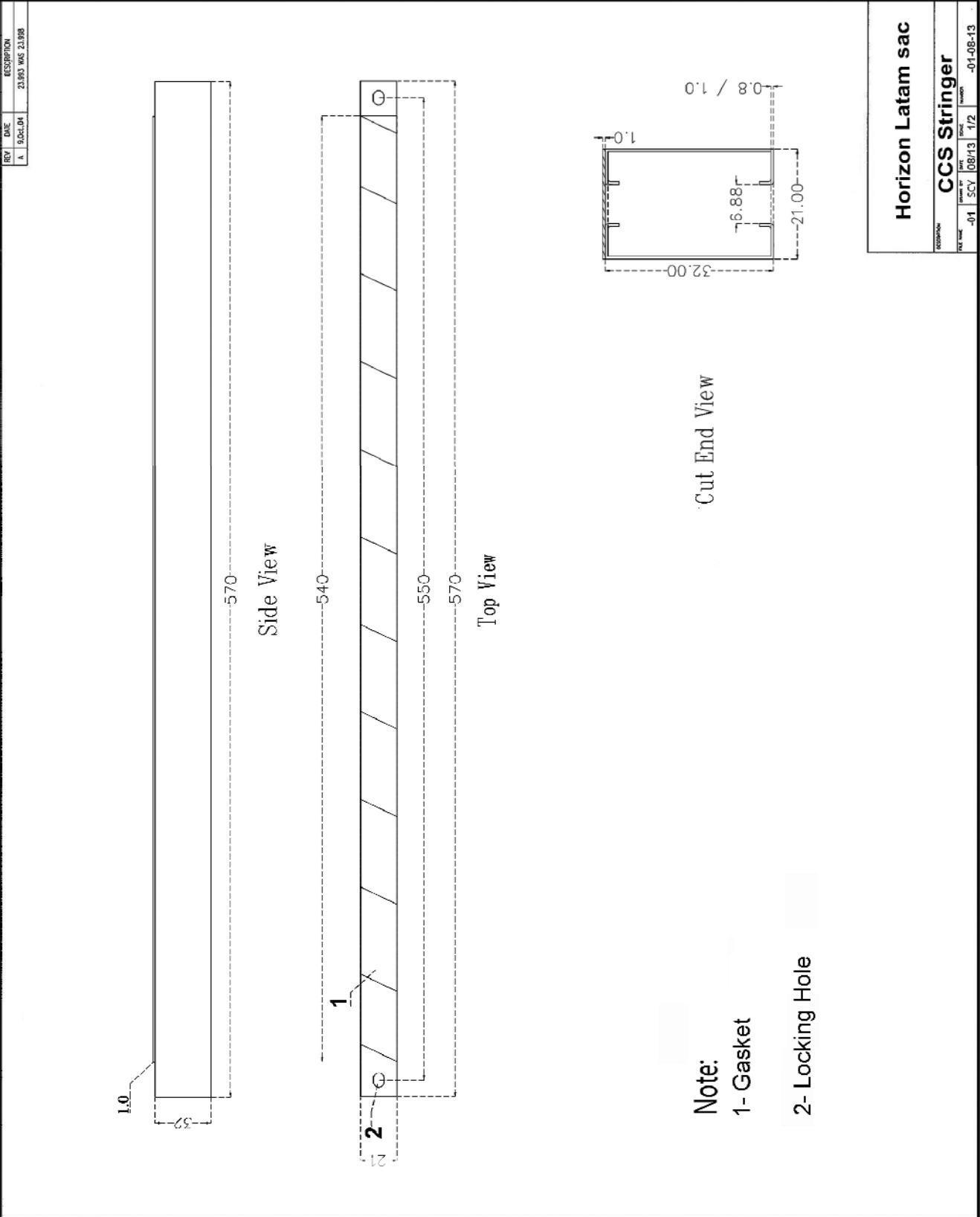
Low Meng Wah Leon
Associate Engineer

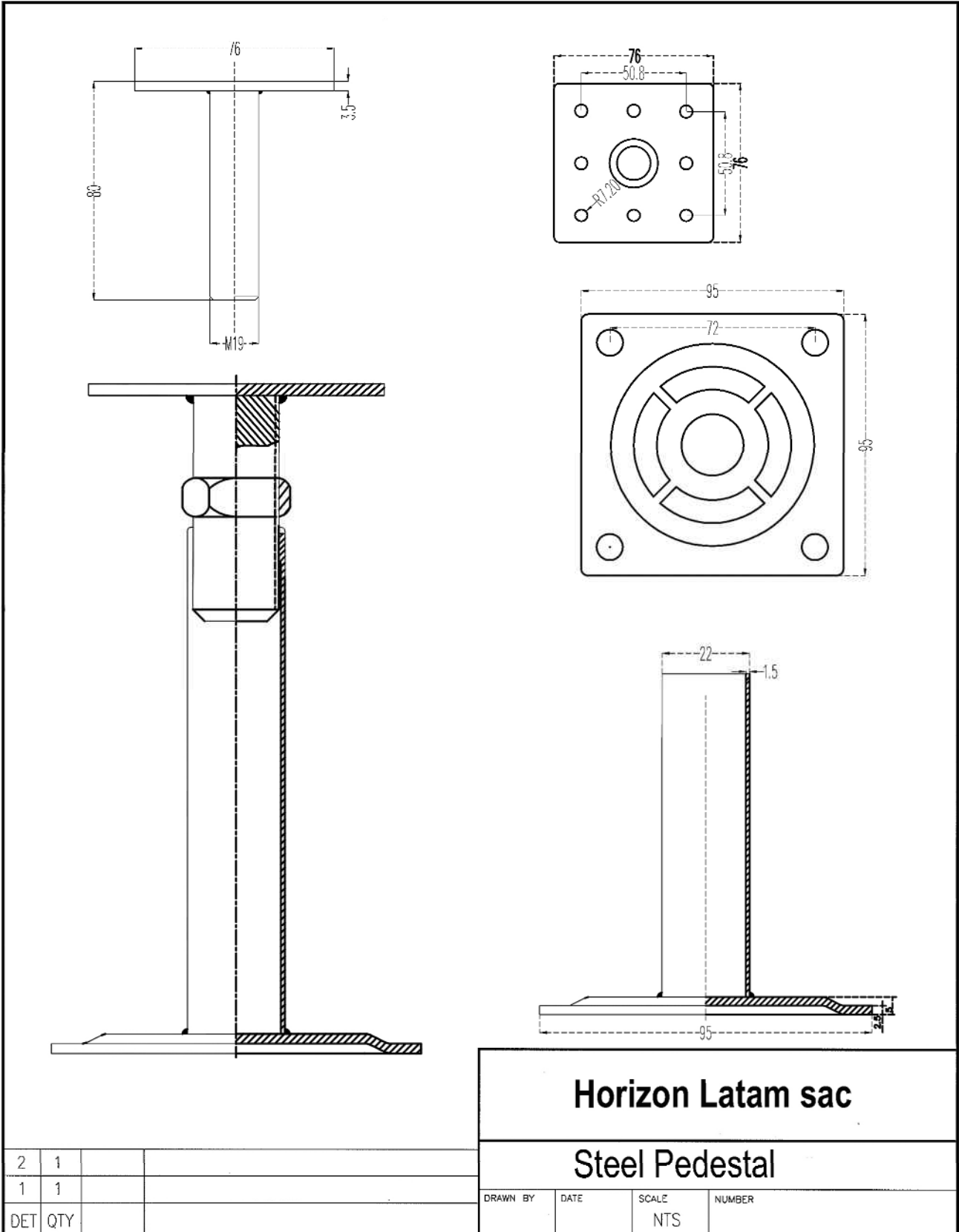
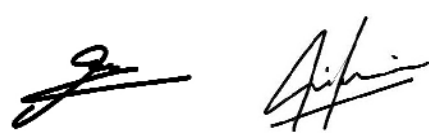


Lim Beng
Engineer
Building & Industrial Products
Testing Group

APPENDIX





**Test Report No. 52S074135/4A/OTB
dated 9MAR 2014**



This Report is issued under the following conditions:

1. Results of the testing/calibration in the form of a report will be issued immediately after the service has been completed or terminated.
2. Unless otherwise requested, a report shall contain only technical results. Analysis and interpretation of the results and professional opinion and recommendations expressed thereupon, if required, shall be clearly indicated and additional fee paid for, by the Client.
3. This report applies to the sample of the specific product/equipment given at the time of its testing/calibration. The results are not used to indicate or imply that they are applicable to other similar items. In addition, such results must not be used to indicate or imply that TÜV SÜD PSB approves, recommends or endorses the manufacturer, supplier or user of such product/equipment, or that TÜV SÜD PSB in any way "guarantees" the later performance of the product/equipment.
4. The sample/s mentioned in this report is/are submitted/supplied/manufactured by the Client. TÜV SÜD PSB therefore assumes no responsibility for the accuracy of information on the brand name, model number, origin of manufacture, consignment or any information supplied.
5. Additional copies of the report are available to the Client at an additional fee. No third party can obtain a copy of this report through TÜV SÜD PSB, unless the Client has authorised TÜV SÜD PSB in writing to do so.
6. TÜV SÜD PSB may at its sole discretion add to or amend the conditions of the report at the time of issue of the report and such report and such additions or amendments shall be binding on the Client.
7. All copyright in the report shall remain with TÜV SÜD PSB and the Client shall, upon payment of TÜV SÜD PSB's fees for the carrying out of the tests/calibrations, be granted a license to use or publish the report to the third parties subject to the terms and conditions herein, provided always that TÜV SÜD PSB may at its absolute discretion be entitled to impose such conditions on the license as it sees fit.
8. Nothing in this report shall be interpreted to mean that TÜV SÜD PSB has verified or ascertained any endorsement or marks from any other testing authority or bodies that may be found on that sample.
9. This report shall not be reproduced wholly or in parts and no reference shall be made by the Client to TÜV SÜD PSB or to the report or results furnished by TÜV SÜD PSB in any advertisements or sales promotion.
10. Unless otherwise stated, the tests are carried out in TÜV SÜD PSB Pte Ltd, No.1 Science Park Drive Singapore 118221.

Mar 2014