

Note: This report is issued subject to TÜV SÜD PSB's "Terms and Conditions Governing Technical Services". The terms and conditions governing the issue of this report are set out as attached within this report.

SUBJECT

Testing of access flooring system

- Pedestal Axial Load Test

TESTED FOR

Horizon Latam sac

Calle Cerro Azul 463, San Ignacio ,
Lima-Perú
Atten: Atte: Ricardo Ancasi J.

SAMPLES DESCRIPTION

Access Floor Model Name: **CCS1000**

Pedestal Assembly (Refer to Photos and Drawings in Appendix)

- FFH: 11.8" (300mm)
- Measured Tubular column length: 8.66" (220mm)
- Measured Pedestal head plate size: 2.99" x 2.99" x 0.14" thk (76mm x 76mm x 3.0mm thk)

DATE SUBMITTED

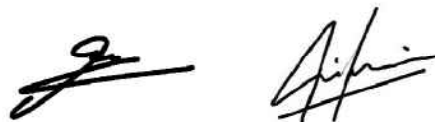
9 Mar 2017

METHOD OF TEST

CISCA 2003-2004 – Recommended Test Procedures For Access Floors



Photo 1



TEST RESULTS

Pedestal 1 Axial Load Test

Sample reference	Base Ass'y. With 12" Tube
Finished floor height	11.8" (300mm)
Imposed load	6000lbs (2722kg)
Observation	No visible structural damage found
Failure load	12971lbs (5884kg)
Observation	Pedestal Buckle

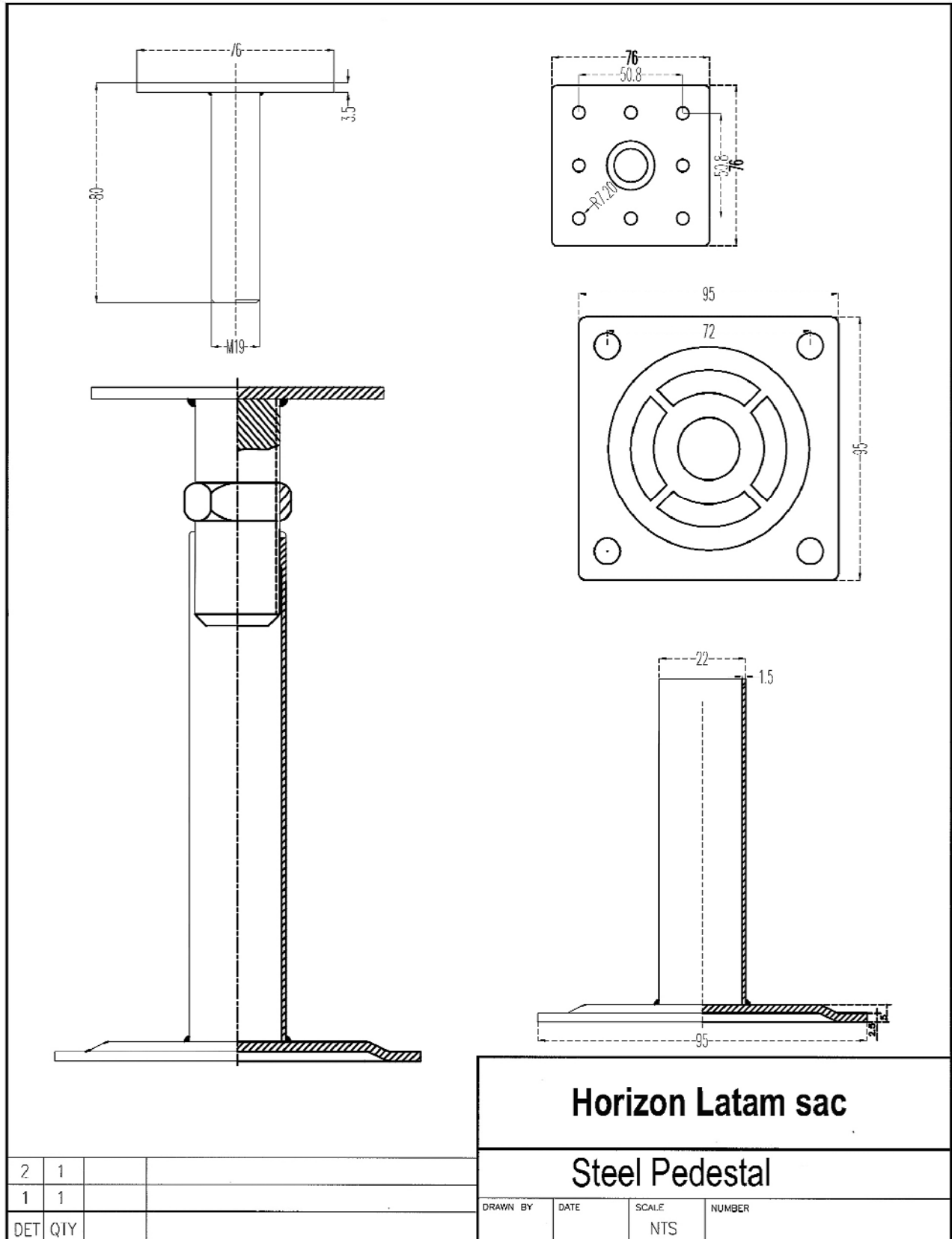

Pedestal 2 Axial Load Test

Sample reference	Base Ass'y. With 12" Tube
Finished floor height	11.8" (300mm)
Imposed load	6560lbs (2981kg)
Observation	No visible structural damage found
Failure load	14500lbs (6590kg)
Observation	Pedestal Buckle


Low Meng Wah Leon
Associate Engineer


Lim Behg
Engineer
Building & Industrial Products
Testing Group

APPENDIX

**Test Report No. 52S075955/1A/SGZ
dated 9 MAR 2017**



This Report is issued under the following conditions:

1. Results of the testing/calibration in the form of a report will be issued immediately after the service has been completed or terminated.
2. Unless otherwise requested, a report shall contain only technical results. Analysis and interpretation of the results and professional opinion and recommendations expressed thereupon, if required, shall be clearly indicated and additional fee paid for, by the Client.
3. This report applies to the sample of the specific product/equipment given at the time of its testing/calibration. The results are not used to indicate or imply that they are applicable to other similar items. In addition, such results must not be used to indicate or imply that TÜV SÜD PSB approves, recommends or endorses the manufacturer, supplier or user of such product/equipment, or that TÜV SÜD PSB in any way "guarantees" the later performance of the product/equipment.
4. The sample/s mentioned in this report is/are submitted/supplied/manufactured by the Client. TÜV SÜD PSB therefore assumes no responsibility for the accuracy of information on the brand name, model number, origin of manufacture, consignment or any information supplied.
5. Additional copies of the report are available to the Client at an additional fee. No third party can obtain a copy of this report through TÜV SÜD PSB, unless the Client has authorised TÜV SÜD PSB in writing to do so.
6. TÜV SÜD PSB may at its sole discretion add to or amend the conditions of the report at the time of issue of the report and such report and such additions or amendments shall be binding on the Client.
7. All copyright in the report shall remain with TÜV SÜD PSB and the Client shall, upon payment of TÜV SÜD PSB's fees for the carrying out of the tests/calibrations, be granted a license to use or publish the report to the third parties subject to the terms and conditions herein, provided always that TÜV SÜD PSB may at its absolute discretion be entitled to impose such conditions on the license as it sees fit.
8. Nothing in this report shall be interpreted to mean that TÜV SÜD PSB has verified or ascertained any endorsement or marks from any other testing authority or bodies that may be found on that sample.
9. This report shall not be reproduced wholly or in parts and no reference shall be made by the Client to TÜV SÜD PSB or to the report or results furnished by TÜV SÜD PSB in any advertisements or sales promotion.
10. Unless otherwise stated, the tests are carried out in TÜV SÜD PSB Pte Ltd, No.1 Science Park Drive Singapore 118221.

Mar 2017